

1

2

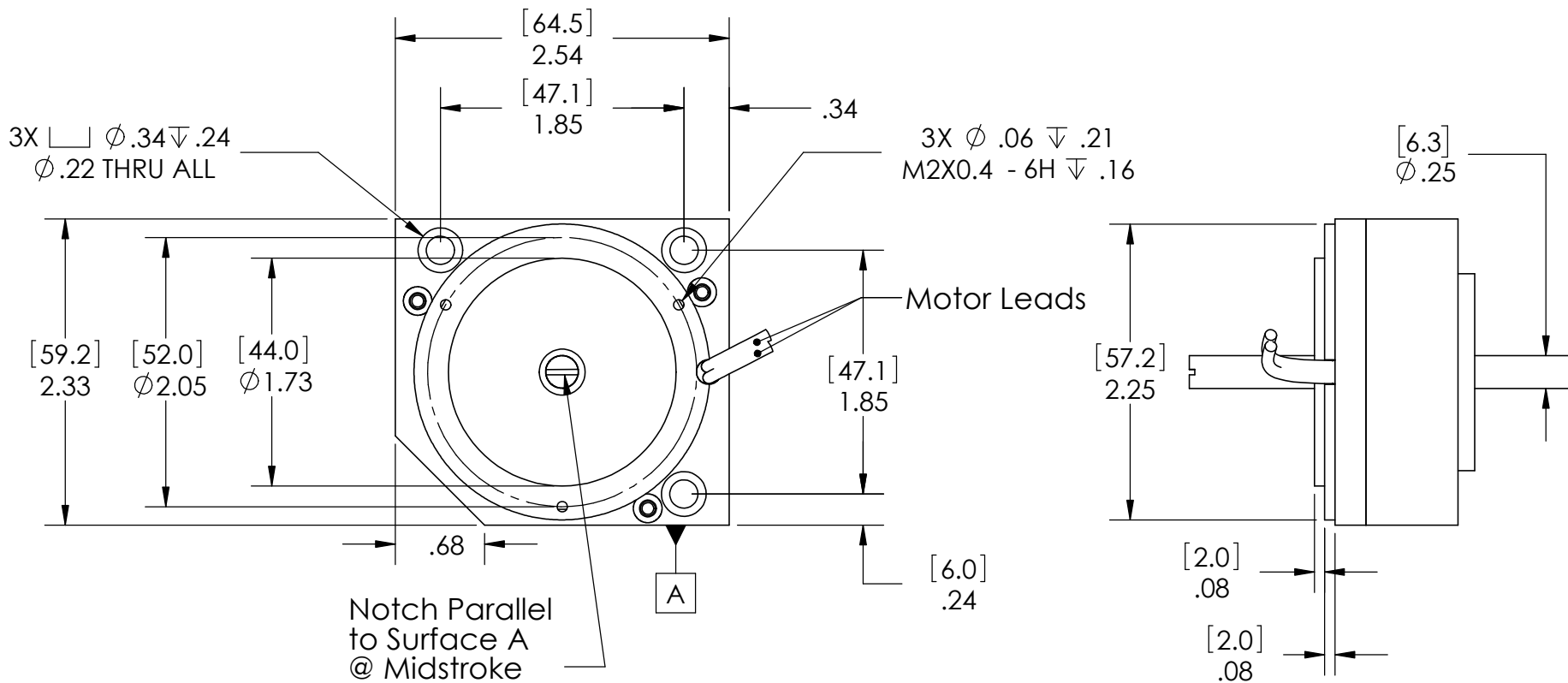
3

4

5

A

A

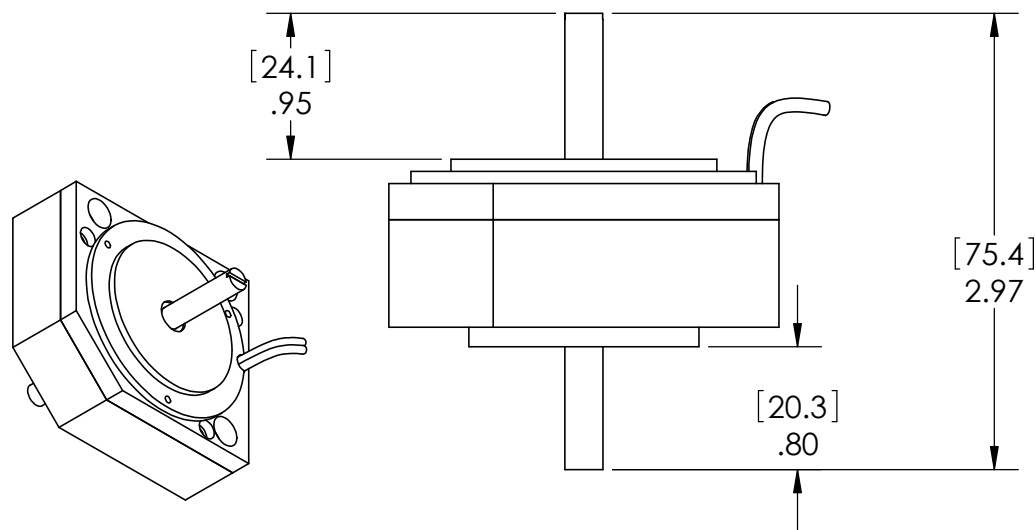


B

B

C

C



D

D



H2W Technologies, Inc.
 Santa Clarita, CA 91350 USA
 Tel: (661) 291-1620
www.h2wtech.com

These drawings and specifications are the property of H2W Technologies, Inc. They are issued in confidence and shall not be reproduced, copied, or used without written permission from H2W Technologies, Inc.

UNLESS SPECIFIED OTHERWISE:
 All dimensions are in inches
 Standard Tolerances are as follows
 .XXX \pm .005 ANGLES \pm 1°
 .XX \pm .010 FILLETS .010
 .X \pm .020 CORNERS .010
 Remove All Burrs and Sharp Edges

RELEASED FOR MANUFACTURING
[Signature]
 9-27-18

MATERIAL
 FINISH

TITLE
TMR-115-25-009-2H

DWG # **80-0174**
 REV **C**
 DATE 9-27-18 SHEET 1 of 2

1

2

3

4

5

A

A

LIMITED ANGLE TORQUE MOTOR SPECIFICATIONS		
Motor P/N	TMR-115-25-009-2H	
Device Type	MR	
Stroke	115 degrees	2.0 radians
Radial Clearance	N/A	N/A
Housed with Bearings	Yes	
Rotor Inertia	0.43 oz-in ²	1.3 E-5 kg-m ²
Total Mass	0.80 lbs	360 grams
Resistance @ 20C	4.2 ohms	
Inductance @ 20C	1.3 mH	
Electrical Time Constant	0.31 msec	
Motor Constant	3.9 in-oz/sqrt(watt)	2.8 N-cm/sqrt(watt)
Torque Constant	8.0 in-oz/amp	5.6 N-cm/amp
Back EMF	5.9 E-3 V/rpm	5.6 E-2 V/rad/sec
Torque @ 100% Duty	9 in-oz	6.4 N-cm
Power @ 100% Duty	5.3 watts	
Current @ 100% Duty	1.1 amps	
Torque @ 10% Duty	27 in-oz	19 N-cm
Power @ 10% Duty	48 watts	
Current @ 10% Duty	3.4 amps	

B

B

C

C

D

D


H2W Technologies, Inc.

 Santa Clarita, CA 91350 USA
 Tel: (661) 291-1620

www.h2wtech.com

These drawings and specifications are the property of H2W Technologies, Inc. They are issued in confidence and shall not be reproduced, copied, or used without written permission from H2W Technologies, Inc.

 UNLESS SPECIFIED OTHERWISE:
 All dimensions are in inches
 Standard Tolerances are as follows
 .XXX ±.005 ANGLES ±.1°
 .XX ±.010 FILLETS .010
 .X ±.020 CORNERS .010
 Remove All Burrs and Sharp Edges

MATERIAL

FINISH

TITLE

TMR-115-25-009-2H

DWG #

80-0174

REV

C

DATE 9-27-18

SHEET

2 of 2